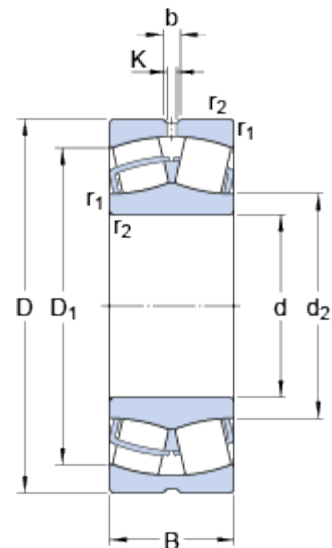


23256 CC/W33

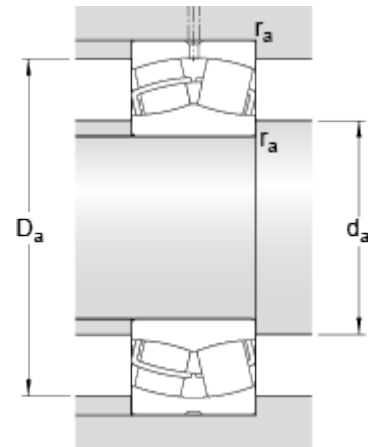
Popular item
SKF Explorer

Dimensions



d	11.0236	in
D	19.6851	in
B	6.9291	in
d_2	≈ 13.0709	in
D_1	≈ 16.8898	in
b	0.878	in
K	0.4724	in
$r_{1,2}$	min. 0.1968	in

Abutment dimensions



d_a	min. 11.811	in
D_a	max. 18.8976	in
r_a	max. 0.1575	in

Calculation data

Basic dynamic load rating	C	769971	lbf
Basic static load rating	C_0	1101564	lbf
Fatigue load limit	P_u	82055	lbf
Reference speed		800	r/min
Limiting speed		1100	r/min
Calculation factor	e	0.35	
Calculation factor	Y_1	1.9	
Calculation factor	Y_2	2.9	
Calculation factor	Y_0	1.8	

Mass

Mass bearing	331	lbs
--------------	-----	-----

